

## SDS1005 SERIES ~ Shielded SMD Power Inductors

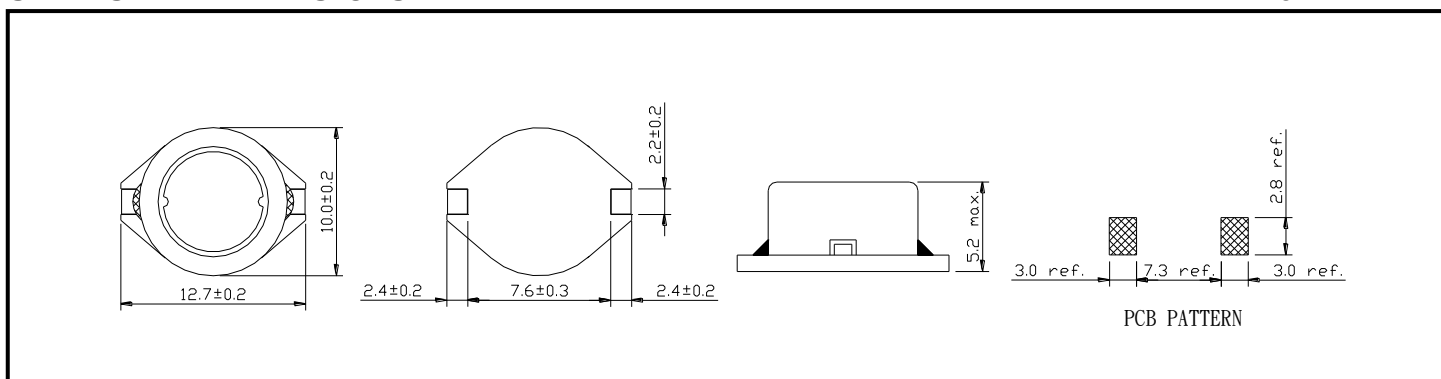


### PART NUMBERING SYSTEM

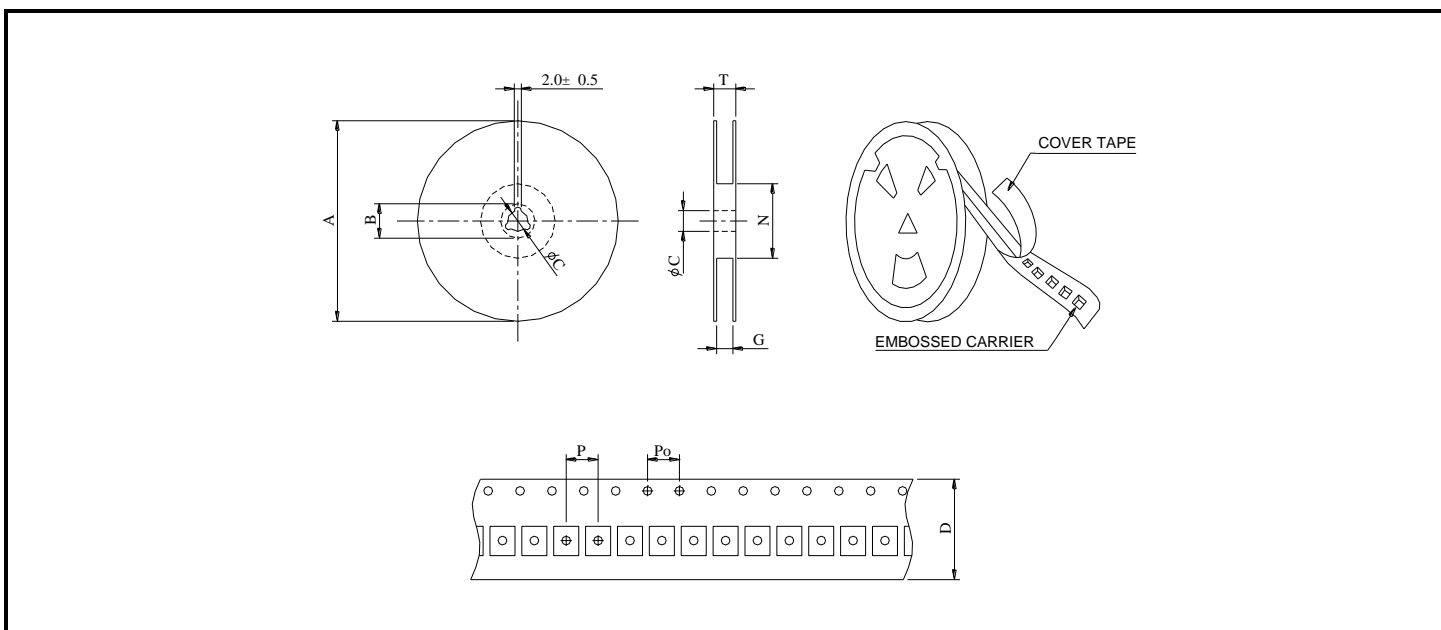
<b>SDS</b>	<b>1005</b>	—	<b>470M</b>	—	<b>LF</b>
TYPE	DIMENSIONS		INDUCTANCE		LEAD FREE

### SHAPES AND DIMENSIONS

UNIT : mm



### PACKAGING SPECIFICATION



SERIES	STAYLE	Q'TY (PCS)	DIMENSIONS (m/m)								
			A	B $\pm 0.8$	C $\pm 0.5$	D	G <sup>+0</sup>	N <sup>0</sup>	P	Po	T
SDS1005	13-24	600	330	21	13	24	26	50	16	4	30.4

## SDS1005 SERIES ~ Shielded SMD Power Inductors



### SPECIFICATION TABLE

PART NUMBER	INDUCTANCE ( $\mu$ H)	DCR ( $\Omega$ ) (Max.)	IDC (A) (Max.)	TEST FREQ. ( f )
SDS1005-1R0N-LF	1.0 $\pm$ 30%	0.021	5.00	100KHz
SDS1005-1R5N-LF	1.5 $\pm$ 30%	0.022	4.50	100KHz
SDS1005-2R2N-LF	2.2 $\pm$ 30%	0.027	3.10	100KHz
SDS1005-3R0N-LF	3.0 $\pm$ 30%	0.030	2.90	100KHz
SDS1005-4R7N-LF	4.7 $\pm$ 30%	0.040	2.50	100KHz
SDS1005-6R8N-LF	6.8 $\pm$ 30%	0.055	2.20	100KHz
SDS1005-100M-LF	10 $\pm$ 20%	0.065	2.00	1KHz
SDS1005-120M-LF	12 $\pm$ 20%	0.080	1.80	1KHz
SDS1005-150M-LF	15 $\pm$ 20%	0.085	1.70	1KHz
SDS1005-180M-LF	18 $\pm$ 20%	0.090	1.60	1KHz
SDS1005-220M-LF	22 $\pm$ 20%	0.100	1.40	1KHz
SDS1005-270M-LF	27 $\pm$ 20%	0.120	1.30	1KHz
SDS1005-330M-LF	33 $\pm$ 20%	0.160	1.20	1KHz
SDS1005-390M-LF	39 $\pm$ 20%	0.180	1.05	1KHz
SDS1005-470M-LF	47 $\pm$ 20%	0.190	1.00	1KHz
SDS1005-560M-LF	56 $\pm$ 20%	0.210	0.90	1KHz
SDS1005-680M-LF	68 $\pm$ 20%	0.340	0.82	1KHz
SDS1005-820M-LF	82 $\pm$ 20%	0.380	0.75	1KHz
SDS1005-101M-LF	100 $\pm$ 20%	0.420	0.68	1KHz
SDS1005-121M-LF	120 $\pm$ 20%	0.460	0.60	1KHz
SDS1005-151M-LF	150 $\pm$ 20%	0.520	0.55	1KHz
SDS1005-181M-LF	180 $\pm$ 20%	0.700	0.50	1KHz
SDS1005-221M-LF	220 $\pm$ 20%	0.800	0.45	1KHz
SDS1005-271M-LF	270 $\pm$ 20%	1.100	0.40	1KHz
SDS1005-331M-LF	330 $\pm$ 20%	1.200	0.35	1KHz
SDS1005-391M-LF	390 $\pm$ 20%	1.400	0.33	1KHz

- DC current at which the inductance drops 10% (typ) from its value without current.
- Operating temperature range -40°C to +125°C.
- Electrical specifications at 25°C .